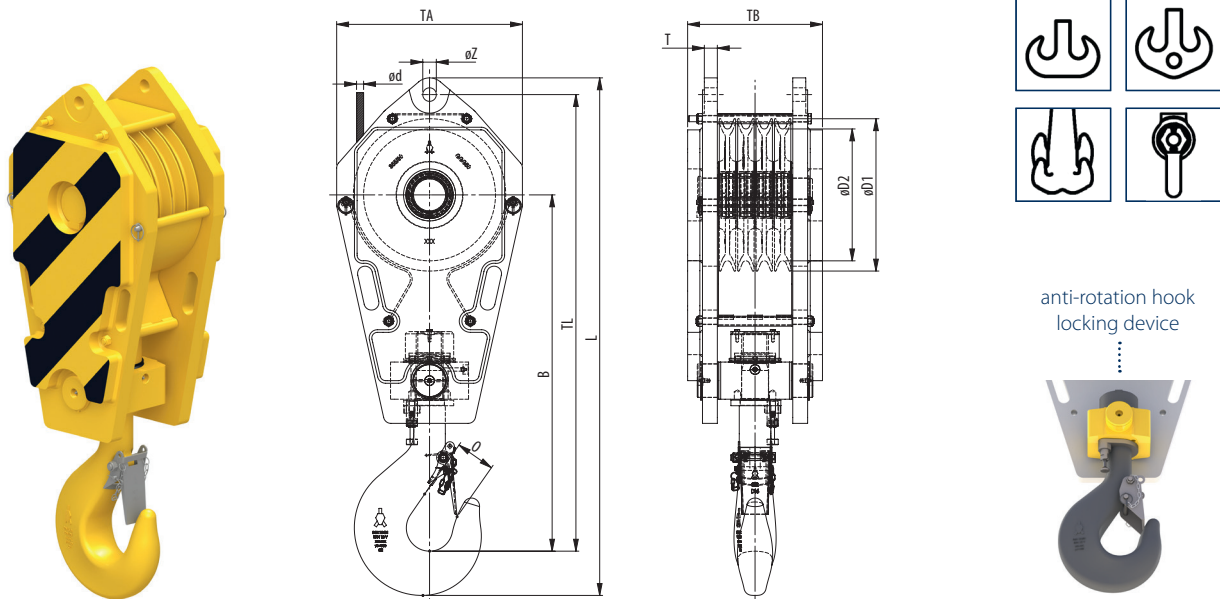


## FAST REEVE CRANE BLOCKS

## 4 SHEAVES



Model No.	WLL (UStons)	For wire ød (inch)	Hook size	Dimensions (inch)									Weight (lbs)
				øD1	øD2	B	O	TA	TL	L	T	øZ	
FRB 355.xx.4.35.E	38.5	5/16 - 7/8	10	16.1	14	36.7	3.5	19.7	47.4	53.1	TBD	TBD	925
FRB 320.xx.4.37.E	40	5/16 - 3/4	10	14.4	12.6	29.6	3.5	17.7	39	44.8	TBD	TBD	700
FRB 355.xx.4.37.E	40	5/16 - 7/8	10	16.1	14	34	3.5	19.7	44.6	50.4	TBD	TBD	620
FRB 320.xx.4.41.E	45	5/16 - 3/4	12	14.4	12.6	34.6	3.9	17.7	43.9	50.2	TBD	TBD	760
FRB 355.xx.4.46.E	50	5/16 - 7/8	12	16.1	14	37.7	3.9	19.7	48.1	54.2	TBD	TBD	1000
FRB 355.xx.4.55.E	60	5/16 - 7/8	12	16.1	14	37.8	3.9	19.7	48.4	54.8	TBD	TBD	1100
FRB 400.xx.4.70.E	77	5/8 - 1	16	18.1	15.7	40.9	4.4	22.4	52.5	57.7	TBD	TBD	1500
FRB 450.xx.4.70.E	77	3/4 - 1 1/8	16	20.3	17.7	40.9	4.4	23.6	57	62.2	TBD	TBD	1650   1800
FRB 528.xx.4.70.E	77	7/8 - 1 1/4	16	23.4	20.8	42.7	4.4	27.9	57.7	65.1	TBD	TBD	2800
FRB 528.xx.4.82.E	90	7/8 - 1 1/4	20	23.4	20.8	50.1	4.9	28	68.3	74.3	TBD	TBD	2800
FRB 528.xx.4.100.E	110	7/8 - 1 1/4	25	23.4	20.8	50.7	5.5	28	68.6	75.3	TBD	TBD	2800
FRB 528.xx.4.105.E	115	7/8 - 1 1/4	25	23.4	20.8	52.1	5.5	28	67.6	77.1	TBD	TBD	3850
FRB 528.xx.4.137,5.E	150	7/8 - 1 1/4	32	23.4	20.8	54.6	6.3	28	69.8	79.9	TBD	TBD	3150
FRB 575.xx.4.137,5.E	150	1 1/16 - 1 1/4	32	25.6	22.6	55.6	6.3	30.3	72.2	82.1	TBD	TBD	3000
FRB 670.xx.4.137,5.E	150	1 - 1 1/2	32	29.9	26.4	56.7	6.3	34.3	75.7	86	TBD	TBD	3200

Minimum Ultimate Strength = 4 x WLL

- The dimensions in this table are indicative only. A drawing will always be submitted prior to production and will be the leading document when discussing dimensions.
- Blocks shown here are standard models; inquiries for custom versions are welcome.
- Refer to wire rope manufacturers D/d ratio guideline.
- Optional: Hook locking pin.



**SEE OUR WARNING & SAFETY INFORMATION**